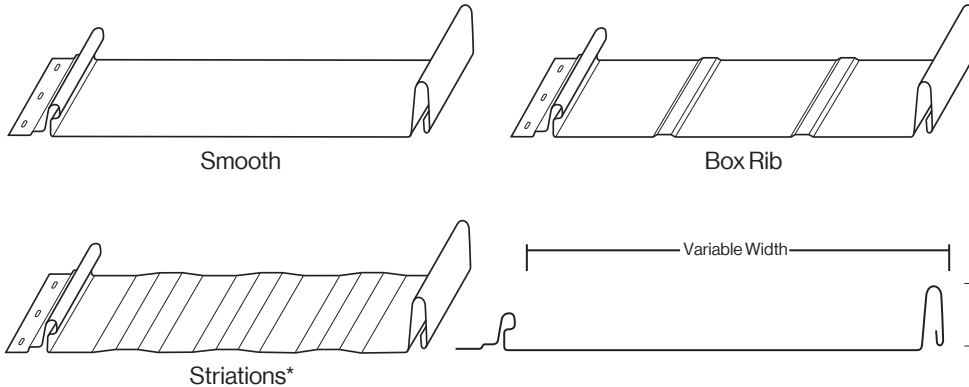


ArmorX Series / Rapid Snap NS100

Product Highlights

The 1" Rapid Snap NS100™ is an Architectural Standing Seam Metal Roof Panel that has all fasteners concealed for a sleek look and, most importantly, incredible strength and weather resistance. It is a well liked Metal Roofing Panel for its durability and ease of installation. It has a built in strip for installing screws — no clips are required. This Standing Seam Metal Roof Panel comes in a variety of standard widths and colors, but can be customized to the needs that you specify. This panel can be rollformed on-site or at our facility in Rigby, Idaho. Rollforming on-site can help reduce shipping costs and damage to the panels in the shipping process.

On-Site Rollforming Available for this Panel



*Recommended Option

Product Specifications

<p>Applications: Roofing, Wall, Soffit, Fascia, Ceiling, Interior</p> <p>Coverage: 36" Coverage**</p> <p>Rib Heights: ¾" on 9" centers with anti-siphon groove</p> <p>Fastening System: Exposed Fastening</p> <p>Length(s): Maximum Length of 63' 0" Minimum Length of 3' 0"</p> <p>Minimum Slope: 1:12 Pitch or greater with butyl tape sealant & Briggs Steel recommended self-adhered underlayment covering entire substrate 3:12 Pitch or greater (optional: recommended butyl tape sealant)</p> <p>Substrate Install: Solid/Open Purlin System</p> <p>Thickness: 28ga, 26ga High Quality High Tensile Steel Grade E (yield strength of 80,000 psi)</p>	<p>Coatings: WeatherXL™ SMP by Sherwin-Williams® (Silicone Modified Polyester) Durapon70® by Dura Coat Products PVDF (Kynar 500® or Hylar 5000®) Ceranamel™ XT-40S SMP by Dura Coat Products (Silicone Modified Polyester) Fluoropon® by Sherwin-Williams® PVDF (Kynar 500® or Hylar 5000®) Fluoropon® by Sherwin-Williams® PVDF 3 Coat (Kynar 500® or Hylar 5000®) Super Dynapon® by Sherwin-Williams® (ceramic pigment polyester coating) AZ55 Galvalume® Plus with Acrylic Coating</p> <p>Substrate: AZ50 Galvalume® Grade E (yield strength of 80,000 psi) (optional) AZ55 Galvalume® G60, G90, G100 Galvanized (optional) Grade D (yield strength of 50,000 psi) (optional) Embossing Available</p> <p>Fielding Conditions: Oil Canning is inherent in all light gauge metal products & is not a cause for rejection. Visit www.briggssteel.com/oilcanning for more information.</p> <p>Accessories: Trim, Custom Trim, Fasteners, Sealant, Closures, Venting, Pipe Flashings, Underlayment, Snow Retention, Polycarbonate Panels, Many Tools.</p> <p>More Details: For more information about this profile, please visit www.BriggsSteel.com</p>
---	--

Protective Film Available Upon Request

Note: For standard color selection, consult the current Briggs Steel Color Selection Guides. Custom colors are available upon request.
 **Actual coverage may vary slightly due to the characteristics of the steel.

Testing

Meets Requirements for:
 UL 580 Class 90 & ASTM E1592 Uplift Resistance
 UL 2218 Class 4 Impact Resistance
 UL 263 & UL 790 Class A Fire Resistance
 ASTM E283 & ASTM E1680 Air Infiltration
 ASTM E331 & ASTM E1646 Water Penetration

For more testing information please visit www.briggssteel.com/resources/testing

Materials Available

26ga, 24ga, 22ga Steel

0.032" Aluminum

16oz, 20oz Natural Copper

WeatherXL™ SMP by Sherwin-Williams®
 Fluoropon® by Sherwin-Williams® PVDF (Kynar 500®)

Textured / Crinkle (Rawhide)

Vintage®

Western Rust

Cor-Ten AZP® Raw

Copper-Ten® Raw

Galv-Ten® Raw

Galvalume® (Acrylic Coating)

Galvanized

Electro-Galvanized

Galvannealed

Bonderized Weathering Steel

ReziBond® Weathering Steel

Cold Rolled Weathering Steel

A606-4 (Corten) Weathering Steel

Hammered Copper

Stainless Steel

Perforated

(See Color Guide(s) for Many More Options)

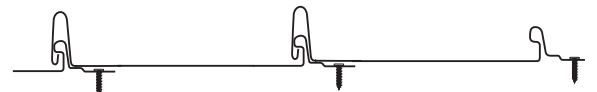


SHERWIN-WILLIAMS
Coil Coatings

Dura Coat
P R O D U C T S
An Axalta Coating Systems Company

Install This Direction →

← Prevailing Wind



Typical Fastener Spacing

- 15" on center max for 7 ¾" to 12" panel widths
- 10" on center max for 12 ¼" to 16" panel widths
- 5" on center max for 16 ¼" to 20" panel widths



*The above diagrams are the typical fastener pattern. However pattern & spacing may not be appropriate for all applications. Consult local building codes and/or professional engineer for alternative use.