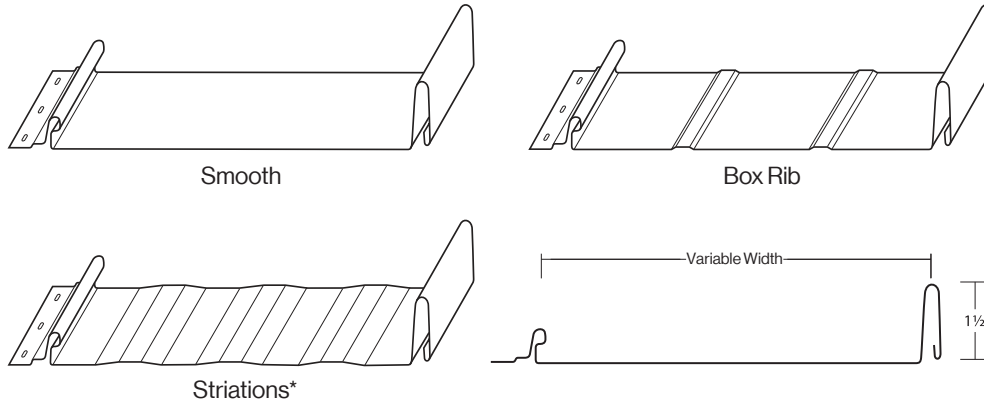


ArmorX Series / Rapid Snap NS150

Product Highlights

The 1½" Rapid Snap NS150™ is a Architectural Standing Seam Metal Roof Panel that has all fasteners concealed for a sleek look with incredible strength and weather resistance. It is a well liked Metal Roofing Panel for its durability and ease of installation. It has a built in strip for installing screws — no clips are required. This Standing Seam Metal Roof Panel comes in a variety of standard widths and colors, but can be customized to the needs that you specify. This panel can be rollformed on-site or at our facility in Rigby, Idaho. Rollforming on-site can help reduce shipping costs and damage to the panels in the shipping process.

On-Site Rollforming Available for this Panel



*Recommended Option

Product Specifications

<p>Applications: Roofing, Wall, Soffit, Fascia, Ceiling, Interior</p> <p>Coverage: Standard Widths: 10¾", 14¾", 18¾" (Custom Widths from 8" to 25½")</p> <p>Rib Heights: 1½" Tall Standing Seam Rib</p> <p>Fastening System: Concealed Fastening with Built-In Fastening Strip (Nail Strip)</p> <p>Length(s): Maximum Length of 30'0" (for greater length refer to Sure Snap SL150™) Minimum Length of 3'0"</p> <p>Minimum Slope: 1½:12 Pitch or greater with recommended self-adhered underlayment covering entire substrate 3:12 Pitch or greater</p> <p>Substrate Install: Solid</p> <p>Ribbing Options: Smooth, Striations, Box Ribs, Pencil Ribs</p>	<p>Thickness: 24ga High Quality Grade D Steel (yield strength of 50,000 psi) (optional) 26ga, 22ga (Please inquire for more available thicknesses)</p> <p>Coatings: Fluoropon® by Sherwin-Williams® PVDF (Kynar 500® or Hylar 5000®) Fluoropon® by Sherwin-Williams® PVDF 3 Coat (Kynar 500® or Hylar 5000®) WeatherXL™ SMP by Sherwin-Williams® (Silicone Modified Polyester) Super Dynapon by Sherwin-Williams® (ceramic pigment polyester coating) AZ55 Galvalume® with Acrylic Coating</p> <p>Substrate: G90 Galvanized Grade D (yield strength of 50,000 psi) (optional) AZ50, AZ55 Galvalume®, G100 Galvanized (optional) Embossing Available</p> <p>Fielding Conditions: Oil Canning is inherent in all light gauge metal products & is not a cause for rejection. Visit www.briggssteel.com/oilcanning for more information.</p> <p>Accessories: Trim, Custom Trim, Fasteners, Sealant, Closures, Venting, Pipe Flashings, Underlayment, Snow Retention, Polycarbonate Panels, Many Tools.</p> <p>More Details: For more information about this profile, please visit www.BriggsSteel.com</p>
---	--

Protective Film Available Upon Request

Note: For standard color selection, consult the current Briggs Steel Color Selection Guides. Custom colors are available upon request.
**Actual coverage may vary slightly due to the characteristics of the steel.

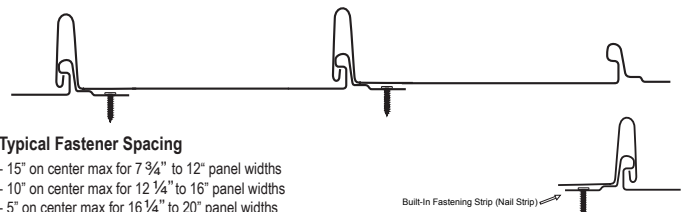
Testing

Meets Requirements for:
 UL 580 Class 90 & ASTM E1592 Uplift Resistance
 UL 2218 Class 4 Impact Resistance
 UL 263 & UL 790 Class A Fire Resistance
 ASTM E283 & ASTM E1680 Air Infiltration
 ASTM E331 & ASTM E1646 Water Penetration

For more testing information please visit www.briggssteel.com/resources/testing

Install This Direction →

← Prevailing Wind



Typical Fastener Spacing

- 15" on center max for 7¾" to 12" panel widths
- 10" on center max for 12¼" to 16" panel widths
- 5" on center max for 16¼" to 20" panel widths

*The above diagrams are the typical fastener pattern. However pattern & spacing may not be appropriate for all applications. Consult local building codes and/or professional engineer for alternative use.