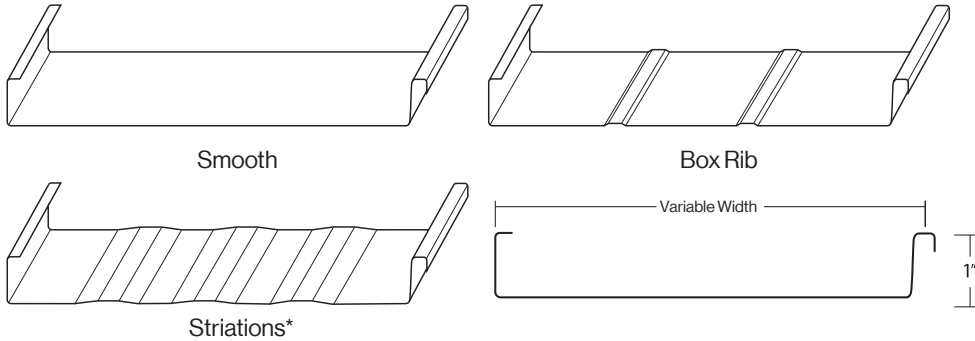


DefenderX Series / Sure Lock ML100™

Product Highlights

The 1" Sure Lock ML100™ Mechanical Lock Panel is a Architectural Standing Seam Metal Roof Panel that has all fasteners concealed for a sleek look and most importantly incredible strength and weather resistance. This Metal Roofing Panel provides a traditional look and utilizes mechanical seaming to enhance design needs. The 1" Mechanical Lock Panel can be installed using a expansion/floating or fixed clip system. This panel can be single or double locked and is available in a variety of standard widths and colors, but can be customized to the needs that you are looking for. This panel can be rollformed on-site or at our facility in Rigby, Idaho. Rollforming on-site can help reduce shipping costs and damage to the panels in the shipping process.

On-Site Rollforming Available for this Panel



*Recommended Option

Product Specifications

Applications:	Roofing, Wall, Soffit, Fascia, Ceiling, Interior	Thickness:	24ga High Quality Grade D Steel (yield strength of 50,000 psi) (optional) 26ga, 22ga (Please inquire for more available thicknesses)
Coverage:	Standard Widths: 12½", 16½", 20½" (Custom Widths from 7" to 27½")	Coatings:	Fluoropon® by Sherwin-Williams® PVDF (Kynar 500® or Hylar 5000®) Fluoropon® by Sherwin-Williams® PVDF 3 Coat (Kynar 500® or Hylar 5000®) WeatherXL™ SMP by Sherwin-Williams® (Silicone Modified Polyester) Super Dynapox by Sherwin-Williams® (ceramic pigment polyester coating) AZ55 Galvalume® with Acrylic Coating
Rib Heights:	1" Tall Standing Seam Rib	Substrate:	G90 Galvanized Grade D (yield strength of 50,000 psi) (optional) AZ50, AZ55 Galvalume®, G100 Galvanized (optional) Embossing Available
Fastening System:	Concealed Fastening System using Fixed or Expansion Clips (Seamer Required)	Fielding Conditions:	Oil Canning is inherent in all light gauge metal products & is not a cause for rejection. Visit www.briggssteel.com/oilcanning for more information.
Length(s):	Maximum Length of 150' + Minimum Length of 3'0"	Accessories:	Trim, Custom Trim, Fasteners, Sealant, Closures, Venting, Pipe Flashings, Underlayment, Snow Retention, Polycarbonate Panels, Many Tools.
Minimum Slope:	½:12 Pitch or greater with thermally applied butyl sealant & recommended self-adhered underlayment covering entire substrate 3:12 Pitch or greater (optional: recommended thermally applied butyl sealant)	More Details:	For more information about this profile, please visit www.BriggsSteel.com
Substrate Install:	Solid		
Ribbing Options:	Smooth, Striations, Box Ribs, Pencil Ribs		
Curving:	Curving Panels Available on-site or in facility. Curved Trim also Available.		



SHERWIN-WILLIAMS
Coil Coatings

Dura Coat
PRODUCTS
An Axalta Coating Systems Company

Materials Available

26ga, 24ga, 22ga Steel

0.032" Aluminum

16oz, 20oz Natural Copper

0.7mm, 0.8mm Natural Zinc

WeatherXL™ SMP by Sherwin-Williams®
Fluoropon® by Sherwin-Williams®PVDF (Kynar 500®)

Textured / Crinkle (Rawhide)

Vintage®

Western Rust

Cor-Ten AZP® Raw

Copper-Ten® Raw

Galv-Ten® Raw

Galvalume® (Acrylic Coating)

Galvanized

Electro-Galvanized

Galvanealed

Bonderized Weathering Steel

ReziBond® Weathering Steel

Cold Rolled Weathering Steel

A606-4 (Corten) Weathering Steel

Hammered Copper

Stainless Steel

Perforated

(See Color Guide(s) for Many More Options)

Protective Film Available Upon Request

Note: For standard color selection, consult the current Briggs Steel Color Selection Guides. Custom colors are available upon request.
**Actual coverage may vary slightly due to the characteristics of the steel.

For more load table information, please contact Briggs Steel sales representative.

Live Load (PSF)	30"	36"	42"	48"	54"	60"
2 or More Spans	129	88	63	49	40	32
3 or More Spans	160	112	81	63	48	39

*Based on 29ga Grade E Steel (yield strength of 80,000 psi)

Testing

Meets Requirements for:
UL 580 Class 90 & ASTM E1592 Uplift Resistance
UL 2218 Class 4 Impact Resistance
UL 263 & UL 790 Class A Fire Resistance
ASTM E283 & ASTM E1680 Air Infiltration
ASTM E331 & ASTM E1646 Water Penetration

Typical Fastener Spacing

(based on a fully fastened clip)
- 24" on center max for up to 18 1/4" panel width
- Up to 60" on center (see load Table)

*The above diagrams are the typical fastener pattern. However pattern & spacing may not be appropriate for all applications. Consult local building codes and/or professional engineer for alternative use.

Install This Direction →

← Prevailing Wind

