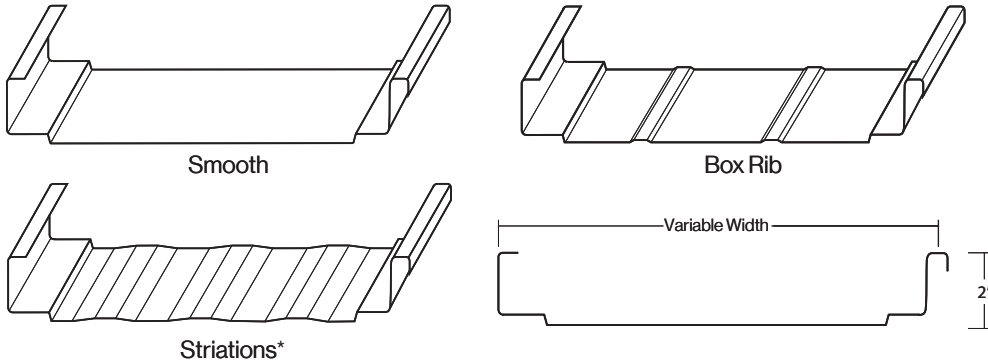


DefenderX Series / Sure Lock ML200 HD™

Product Highlights

The Sure Lock ML200 HD™ is a 2" Mechanical Lock Structural Standing Seam Panel Metal Roof Panel that has all fasteners concealed for a sleek look and most importantly incredible strength and weather resistance. This Metal Roofing Panel provides a traditional look and utilizes mechanical seaming to enhance design needs. The 2" Mechanical Double Lock Panel can be installed using an expansion/floating or fixed clip system. This panel is ideal for low slopes, wide spans and open purlin systems. This panel can be single or double locked and is available in a variety of standard widths and colors, but can be customized to the needs that you are looking for. This panel can be rollformed on-site or at our facility in Rigby, Idaho. Rollforming on-site can help reduce shipping costs and damage to the panels in the shipping process.

On-Site Rollforming Available for this Panel



*Recommended Option

Product Specifications

<p>! Applications: Roofing, Wall, Soffit, Fascia, Ceiling, Interior (Weathertightness Warranty Available)</p> <p>! Coverage: Standard Widths: 10¾", 16", 18¾" (Custom Widths from 8" to 25½")</p> <p>! Rib Heights: 2" Tall Standing Seam Rib</p> <p>! Fastening System: Concealed Fastening System using Fixed or Expansion Clips (Seamer Required)</p> <p>! Length(s): Maximum Length of 150' + Minimum Length of 3'0"</p> <p>! Minimum Slope: ¼:12 Pitch or greater with thermally applied butyl sealant & recommended self-adhered underlayment covering entire substrate ¾:12 Pitch or greater (optional: recommended thermally applied butyl sealant)</p> <p>! Substrate Install: Solid or Open Purlin System</p> <p>! Ribbing Options: Smooth, Striations, Box Ribs, Pencil Ribs</p>	<p>! Thickness: 24ga High Quality Grade D Steel (yield strength of 50,000 psi) (optional) 26ga, 22ga (Please inquire for more available thicknesses)</p> <p>! Coatings: Durapron70® by Dura Coat Products PVDF (Kynar 500® or Hylar 5000®) Ceranamel™ XT-40S SMP by Dura Coat Products (Silicone Modified Polyester) Fluoropon® by Sherwin-Williams® PVDF (Kynar 500® or Hylar 5000®) Fluoropon® by Sherwin-Williams® PVDF 3 Coat (Kynar 500® or Hylar 5000®) WeatherXL™ SMP by Sherwin-Williams® (Silicone Modified Polyester) Super Dynapron® by Sherwin-Williams® (ceramic pigment polyester coating) AZ55 Galvalume® Plus with Acrylic Coating</p> <p>! Substrate: G90 Galvanized Grade D (yield strength of 50,000 psi) (optional) AZ50, AZ55 Galvalume®, G100 Galvanized (optional) Embossing Available</p> <p>! Fielding Conditions: Oil Canning is inherent in all light gauge metal products & is not a cause for rejection. Visit www.briggssteel.com/oilcanning for more information.</p> <p>! Accessories: Trim, Custom Trim, Fasteners, Sealant, Closures, Venting, Pipe Flashings, Underlayment, Snow Retention, Polycarbonate Panels, Many Tools.</p> <p>! More Details: For more information about this profile, please visit www.BriggsSteel.com</p>
---	--

Materials Available

- 26ga, 24ga, 22ga Steel
- 0.032" Aluminum
- 16oz, 20oz Natural Copper
- Fluoropon® by Sherwin-Williams® PVDF (Kynar 500®)
- Durapron70® by Dura Coat Products PVDF (Kynar 500®)
- Textured / Crinkle (Rawhide)
- Vintage®
- Western Rust
- Cor-Ten AZP® Raw
- Copper-Ten® Raw
- Galv-Ten® Raw
- Galvalume® (Acrylic Coating)
- Galvanized
- Electro-Galvanized
- Galvannealed
- Bonderized Weathering Steel
- ReziBond® Weathering Steel
- Cold Rolled Weathering Steel
- A606-4 (Corten) Weathering Steel
- Hammered Copper
- Stainless Steel
- Perforated
- (See Color Guide(s) for Many More Options)



Protective Film Available Upon Request

Note: For standard color selection, consult the current Briggs Steel Color Selection Guides. Custom colors are available upon request. **Actual coverage may vary slightly due to the characteristics of the steel.

For more load table information, please contact Briggs Steel sales representative.

Live Load (PSF)	30"	36"	42"	48"	54"	60"
2 or More Spans	157	123	92	70	56	46
3 or More Spans	171	145	106	81	65	52

*Based on 29ga Grade E Steel (yield strength of 80,000 psi)

Testing

Meets Requirements for:
 UL 580 Class 90 & ASTM E1592 Uplift Resistance
 UL 2218 Class 4 Impact Resistance
 UL 263 & UL 790 Class A Fire Resistance
 ASTM E283 & ASTM E1680 Air Infiltration
 ASTM E331 & ASTM E1646 Water Penetration

Typical Fastener Spacing

(based on a fully fastened clip)
 - 24" on center max for up to 18 1/4" panel width
 - Up to 60" on center (see load Table)

*The above diagrams are the typical fastener pattern. However pattern & spacing may not be appropriate for all applications. Consult local building codes and/or professional engineer for alternative use.

