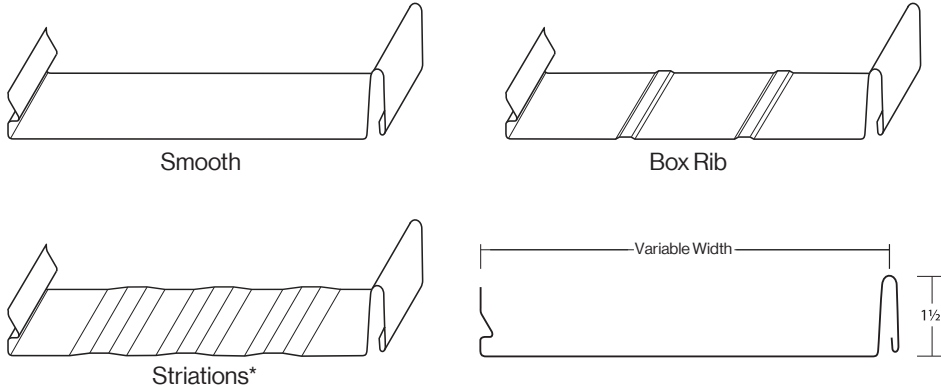


GuardianX Series / Sure Snap SL150

Product Highlights

The 1½" Sure Snap SL150™ Panel is a Architectural Standing Seam Metal Roof Panel that has all fasteners concealed for a sleek look and most importantly incredible strength and weather resistance. This Metal Roofing Panel uses a clip system that allows the panel to float for the expansion and contraction of the steel. When using an 18ga Clip, this panel has incredible wind resistance. This Standing Seam Metal Roof Panel comes in a variety of standard widths and colors, but can be customized to the needs that you are looking for. This panel can be rollformed on-site or at our facility in Rigby, Idaho. Rollforming on-site can help reduce shipping costs and damage to the panels in the shipping process.

On-Site Rollforming Available for this Panel



Materials Available

26ga, 24ga, 22ga

0.032" Aluminum

16oz, 20oz Natural Copper

WeatherXL™ SMP by Sherwin-Williams®
Fluropon® by Sherwin-Williams® PVDF (Kynar 500®)

Textured / Crinkle (Rawhide)
Vintage®

Western Rust

Cor-Ten AZP® Raw

Copper-Ten® Raw

Galv-Ten® Raw

Galvalume® (Acrylic Coating)

Galvanized

Electro-Galvanized

Galvannealed

Bonderized Weathering Steel

ReziBond® Weathering Steel

Cold Rolled Weathering Steel

A606-4 (Corten) Weathering Steel

Hammered Copper

Stainless Steel

Perforated

(See Color Guide(s) for Many More Options)

*Recommended Option

Product Specifications



SHERWIN-WILLIAMS
Coil Coatings



<p>! Applications: Roofing, Wall, Soffit, Fascia, Interior</p> <p>! Coverage: Standard Widths: 10¾", 16", 18¾" (Custom Widths from 8" to 25 1/2")</p> <p>! Rib Heights: 1½" Tall Standing Seam Rib</p> <p>! Fastening System: Concealed Fastening Expansion & Contraction Clip System</p> <p>! Length(s): Maximum Length of 100' + Minimum Length of 3'0"</p> <p>! Minimum Slope: 1½:12 Pitch or greater using recommended self-adhered underlayment covering entire substrate 3:12 Pitch or greater</p> <p>! Substrate Install: Solid</p> <p>! Ribbing Options: Smooth, Striations, Box Ribs, Pencil Ribs</p>	<p>! Thickness: 24ga High Quality Grade D Steel (yield strength of 50,000 psi) (optional) 26ga, 22ga (Please inquire for more available thicknesses)</p> <p>! Coatings: Fluropon® by Sherwin-Williams® PVDF (Kynar 500® or Hylar 5000®) Fluropon® by Sherwin-Williams® PVDF 3 Coat (Kynar 500® or Hylar 5000®) WeatherXL™ SMP by Sherwin-Williams® (Silicone Modified Polyester) Super Dynapon by Sherwin-Williams® (ceramic pigment polyester coating) AZ55 Galvalume® with Acrylic Coating</p> <p>! Substrate: G90 Galvanized Grade D (yield strength of 50,000 psi) (optional) AZ50, AZ55 Galvalume®, G100 Galvanized (optional) Embossing Available</p> <p>! Fielding Conditions: Oil Canning is inherent in all light gauge metal products & is not a cause for rejection. Visit www.briggssteel.com/oilcanning for more information.</p> <p>! Accessories: Trim, Custom Trim, Fasteners, Sealant, Closures, Venting, Pipe Flashings, Underlayment, Snow Retention, Polycarbonate Panels, Many Tools.</p> <p>! More Details: For more information about this profile, please visit www.BriggsSteel.com</p>
--	--

Protective Film Available Upon Request

Note: For standard color selection, consult the current Briggs Steel Color Selection Guides. Custom colors are available upon request.

**Actual coverage may vary slightly due to the characteristics of the steel.

Testing

Meets Requirements for:

UL 580 Class 90 & ASTM E1592 Uplift Resistance

UL 2218 Class 4 Impact Resistance

UL 263 & UL 790 Class A Fire Resistance

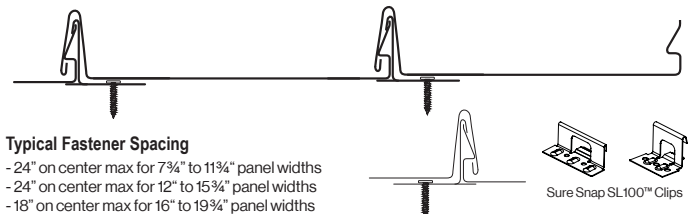
ASTM E283 & ASTM E1680 Air Infiltration

ASTM E331 & ASTM E1646 Water Penetration

For more testing information please visit www.briggssteel.com/resources/testing

Install This Direction →

← Prevailing Wind



Typical Fastener Spacing

- 24" on center max for 7¾" to 11¾" panel widths

- 24" on center max for 12" to 15¾" panel widths

- 18" on center max for 16" to 19¾" panel widths

*The above diagrams are the typical fastener pattern. However pattern & spacing may not be appropriate for all applications. Consult local building codes and/or professional engineer for alternative use.