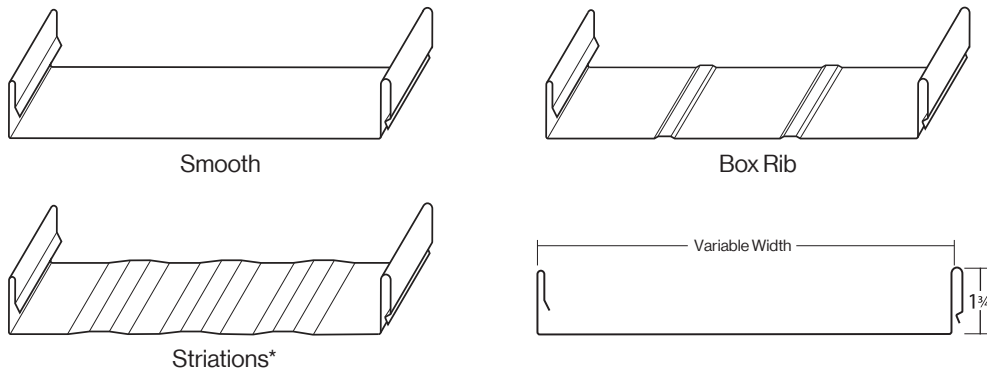


## GuardianX Series / Sure Snap SL175 HD™

### Product Highlights

The 1¾" Sure Snap SL175 HD™ is a Architectural Snap Lock Standing Seam Metal Roof Panel that has all fasteners concealed for a sleek look and most importantly incredible strength and weather resistance. The 1¾" Snap Seam Panel can be installed over a solid substrate or open purlin system. This Metal Roofing Panel uses a clip system that allows the panel to float for the expansion and contraction of the steel. When using an 18ga Clip, this panel has incredible wind resistance. This Standing Seam Metal Roof Panel comes in a variety of standard widths and colors, but can be customized to the needs that you are looking for. This panel can be rollformed on-site or at our facility in Rigby, Idaho. Rollforming on-site can help reduce shipping costs and damage to the panels in the shipping process.

#### On-Site Rollforming Available for this Panel



\*Recommended Option

### Product Specifications

<p>! <b>Applications:</b> Roofing, Wall, Soffit, Fascia, Ceiling, Interior (Weather-tightness Warranty Available)</p> <p>! <b>Coverage:</b> Standard Widths: 10", 12", 14", 16", 18" (Custom Widths from 8" to 24")</p> <p>! <b>Rib Heights:</b> 1¾" Tall Standing Seam Rib</p> <p>! <b>Fastening System:</b> Concealed Fastening Expansion &amp; Contraction Clip System</p> <p>! <b>Length(s):</b> Maximum Length of 150' + Minimum Length of 30'</p> <p>! <b>Minimum Slope:</b> ¾:12 Pitch or greater with thermally applied butyl sealant &amp; recommended self-adhered underlayment covering entire substrate 2:12 Pitch or greater (optional: recommended thermally applied butyl sealant)</p> <p>! <b>Substrate Install:</b> Solid or Open Purlin System</p> <p>! <b>Ribbing Options:</b> Smooth, Striations, Box Ribs</p>	<p>! <b>Thickness:</b> 24ga High Quality Grade D Steel (yield strength of 50,000 psi) (optional) 26ga, 22ga (Please inquire for more available thicknesses)</p> <p>! <b>Coatings:</b> Fluoropon® by Sherwin-Williams® PVDF (Kynar 500® or Hylar 5000®) Fluoropon® by Sherwin-Williams® PVDF 3 Coat (Kynar 500® or Hylar 5000®) WeatherXL™ SMP by Sherwin-Williams® (Silicone Modified Polyester) Super Dynapox by Sherwin-Williams® (ceramic pigment polyester coating) AZ55 Galvalume® with Acrylic Coating</p> <p>! <b>Substrate:</b> G90 Galvanized Grade D (yield strength of 50,000 psi) (optional) AZ50, AZ55 Galvalume®, G100 Galvanized (optional) Embossing Available</p> <p>! <b>Fielding Conditions:</b> Oil Canning is inherent in all light gauge metal products &amp; is not a cause for rejection. Visit <a href="http://www.briggssteel.com/oilcanning">www.briggssteel.com/oilcanning</a> for more information.</p> <p>! <b>Accessories:</b> Trim, Custom Trim, Fasteners, Sealant, Closures, Venting, Pipe Flashings, Underlayment, Snow Retention, Polycarbonate Panels, Many Tools.</p> <p>! <b>More Details:</b> For more information about this profile, please visit <a href="http://www.BriggsSteel.com">www.BriggsSteel.com</a></p>
--	--

### Materials Available

- 26ga, 24ga, 22ga
- 0.032" Aluminum
- 16oz, 20oz Natural Copper
- WeatherXL™ SMP by Sherwin-Williams®
- Fluoropon® by Sherwin-Williams® PVDF (Kynar 500®)
- Textured / Crinkle (Rawhide)
- Vintage®
- Western Rust
- Cor-Ten AZP® Raw
- Copper-Ten® Raw
- Galv-Ten® Raw
- Galvalume® (Acrylic Coating)
- Galvanized
- Electro-Galvanized
- Galvannealed
- Bonderized Weathering Steel
- ReziBond® Weathering Steel
- Cold Rolled Weathering Steel
- A606-4 (Corten) Weathering Steel
- Hammered Copper
- Stainless Steel
- Perforated
- (See Color Guide(s) for Many More Options)



SHERWIN-WILLIAMS  
Coil Coatings

Dura Coat  
PRODUCTS  
An Axalta Coating Systems Company

### Protective Film Available Upon Request

Note: For standard color selection, consult the current Briggs Steel Color Selection Guides. Custom colors are available upon request.  
\*\*Actual coverage may vary slightly due to the characteristics of the steel.

For more load table information, please contact Briggs Steel sales representative.

Live Load (PSF)	30"	36"	42"	48"	54"	60"
2 or More Spans	129	88	63	49	40	32
3 or More Spans	160	112	81	63	48	39

\*Based on 29ga Grade E Steel (yield strength of 80,000 psi)

#### Testing

Meets Requirements for:  
UL 580 Class 90 & ASTM E1592 Uplift Resistance  
UL 2218 Class 4 Impact Resistance  
UL 263 & UL 790 Class A Fire Resistance  
ASTM E283 & ASTM E1680 Air Infiltration  
ASTM E331 & ASTM E1646 Water Penetration

#### Typical Fastener Spacing

- 15" on center max for 7 ¾" to 12" panel widths
- 10" on center max for 12 ¼" to 16" panel widths
- 5" on center max for 16 ¼" to 20" panel widths

\*The above diagrams are the typical fastener pattern. However pattern & spacing may not be appropriate for all applications. Consult local building codes and/or professional engineer for alternative use.

