

ProtectorX Series / Tuff Rib PlusX™

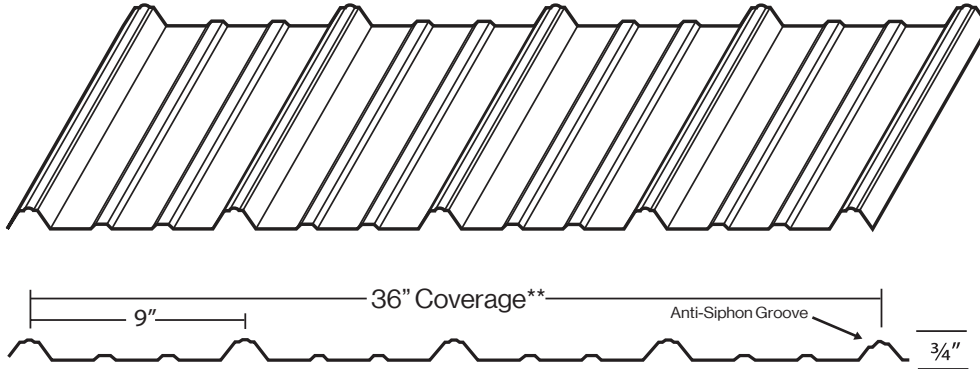
Materials Available

Product Highlights

The Tuff Rib PlusX™ Panel is a tough yet economical choice for your Metal Roofing or Siding project needs. The sleek line and low profile make this Roofing Panel desirable. The Tuff Rib PlusX™ Panel is ideal for Residential, Agricultural and Light Commercial building projects of all types, including but not limited to: Roofing, Walls, Pole Barns, Shops, Barns, Interior Walls for Steel Buildings, and Fencing. This panel features an additional top rib that makes the panel extremely strong, with a 36" Coverage for quick installation and an Anti-Siphon Rib for extreme weather resistance. Combined with Grade 80 High Tensile Steel with up to a 40 Year Limited Paint Warranty availability and a Galvalume® substrate, the Tuff Rib PlusX™ panel is tough to beat. These are some of the reasons that the Tuff Rib PlusX™ Metal Roof Panels are our most popular product.

29ga, 28ga, 26ga Steel (Many Varieties)
0.032" Aluminum (Many Varieties)
16oz, 20oz Architectural Copper (Many Varieties)
Polycarbonate
WeatherXL™ SMP by Sherwin-Williams®
Fluropon® by Sherwin-Williams® PVDF (Kynar 500®)

Textured / Crinkle (Rawhide)
Vintage®
Western Rust
Cor-Ten AZP® Raw
Copper-Ten® Raw
Galv-Ten® Raw
Galvalume® (Acrylic Coating)
Galvanized
Electro-Galvanized
Galvannealed
Bonderized Weathering Steel
ReziBond® Weathering Steel
Cold Rolled Weathering Steel
A606-4 (Corten) Weathering Steel
Hammered Copper
Stainless Steel
Perforated
(See Color Guide(s) for Many More Options)



Product Specifications

Applications:	Roofing, Wall, Soffit, Fascia, Ceiling, Interior	Coatings:	WeatherXL™ SMP by Sherwin-Williams® (Silicone Modified Polyester) Durapon70® by Dura Coat Products PVDF (Kynar 500® or Hylar 5000®) Ceranamel™ XT-40S SMP by Dura Coat Products (Silicone Modified Polyester) Fluropon® by Sherwin-Williams® PVDF (Kynar 500® or Hylar 5000®) Fluropon® by Sherwin-Williams® PVDF 3 Coat (Kynar 500® or Hylar 5000®) Super Dynapop® by Sherwin-Williams® (ceramic pigment polyester coating) AZ55 Galvalume® Plus with Acrylic Coating
Coverage:	36" Coverage**	Substrate:	AZ50 Galvalume® Grade E (yield strength of 80,000 psi) (optional) AZ55 Galvalume® G60, G90, G100 Galvanized (optional) Grade D (yield strength of 50,000 psi) (optional) Embossing Available
Rib Heights:	¾" on 9" centers with anti-siphon groove	Fielding Conditions:	Oil Canning is inherent in all light gauge metal products & is not a cause for rejection. Visit www.briggssteel.com/oilcanning for more information.
Fastening System:	Exposed Fastening	Accessories:	Trim, Custom Trim, Fasteners, Sealant, Closures, Venting, Pipe Flashings, Underlayment, Snow Retention, Polycarbonate Panels, Many Tools.
Length(s):	Maximum Length of 63' 0" Minimum Length of 3' 0"	More Details:	For more information about this profile, please visit www.BriggsSteel.com
Minimum Slope:	1:12 Pitch or greater with butyl tape sealant & Briggs Steel recommended self-adhered underlayment covering entire substrate 3:12 Pitch or greater (optional: recommended butyl tape sealant)		
Substrate Install:	Solid/Open Purlin System		
Thickness:	28ga, 26ga High Quality High Tensile Steel Grade E (yield strength of 80,000 psi)		

Note: For standard color selection, consult the current Briggs Steel Color Selection Guides. Custom colors are available upon request.

**Actual coverage may vary slightly due to the characteristics of the steel.

For more load table information, please contact Briggs Steel sales representative.

Live Load (PSF)	24"	30"	36"	48"	60"
2 or More Spans	72	48	34	19	12
3 or More Spans	86	59	41	24	15

*Based on 29ga Grade E Steel (yield strength of 80,000 psi)

Testing

Meets Requirements for:
UL 580 Class 90 Uplift Resistance
UL 2218 Class 4 Impact Resistance
UL 263 & UL 790 Class A Fire Resistance

For more testing information please visit www.briggssteel.com/resources/testing

Typical Fastener Spacing

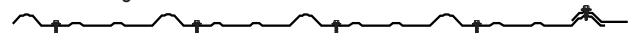
- 24" on center (typical solid substrate)
- Up to 60" on Center (see load table)

*The above diagrams are the typical fastener pattern based on the live load table. However pattern & spacing may not be appropriate for all applications. Consult local building codes and/or professional engineer for alternative use.

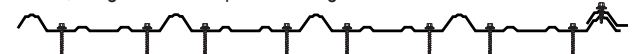
Install This Direction →

← Prevailing Wind

Panel Fasting Pattern



Eaves, Ridges & End Laps Fastening Pattern



Correct Fastening Depth



Seam Sealant

(Recommended option)
Butyl Tape Sealant

